



POF 1262-A
(INDIGENOUS
SUPPLIES)

Government of Pakistan
PAKISTAN ORDNANCE FACTORIES
TENDER ENQUIRY

To M/s

Dear Sirs,

Reference : TENDER ENQUIRY NO. 0108/LP/SAA/53

DATED 08-APR-24

You are requested to submit quotations for the item(s) noted in the Schedule to the Tender. Please note the following instructions for filling the tender:-

1. SUBMISSION OF TENDER

- 1.1 Tenders will be opened at **12:00 hours** on **06-MAY-24** at Bid Centre adjacent to Rabita Hall, POF Wah Cantt. Quotation must be submitted electronically on www.ebidding.pof.gov.pk as well as in hard form (duly sealed in envelope) before 30 minutes of opening time. The tender received late will not be entertained. You may witness the opening of the tender if you so desire. If a representative is deputed, he should bring a letter of authority from you.

Tender Enquiry No: 0108/LP/SAA/53
Tender to be opened on: 06-MAY-24
Address as follows:-

(www.ebidding.pof.gov.pk) BID CENTER
ADJACENT TO RABITA HALL
POFs, WAH CANTT.

2. GENERAL INSTRUCTIONS REGARDING PREPARATION OF QUOTATIONS

- 2.1 **For Materials**, the prices should be filled in column 5 and delivery date in column 7 of the schedule to this Tender Enquiry. As per **PPRA Rule 36(b)**, **Single Stage two envelope method** will be utilized for "Open competitive bidding." Moreover, technical & commercial evaluation of Bids will be carried out strictly as per PPRA rules and contract(s) will be awarded to the most advantageous bidder(s).
- 2.2 **For Plant and Machinery**, you are required to quote in two parts:-
Part I "Technical Offer": It should exclusively give technical details and literatures/brochures of the offered plant, machinery and equipment; validity date; delivery schedule; and signed undertaking given on the schedule to this Tender Enquiry. It must not indicate price, costs etc.

Cont....P-2

Part II "Commercial Offer": It should indicate the commercial terms e.g. price, terms of payment, mode of payment, mode of supply.

- 2.3 The quotation must remain valid for, at least 90 days from the date of opening of commercial tenders, extendable if so desired.
- 2.4 The quotation should hold good for any reduced or enhanced quantities without notice.
- 2.5 In the event of non-acceptance of offer, intimation may be given to the Tenderers on their request.
- 2.6 Conditional offers or alternative offers are likely to be ignored.
- 2.7 Quotations should be based on:-

F.O.R. station of dispatch basis, i.e. delivered free on rail, inclusive of packing and forwarding charges. The stores will be booked under Military Credit Note, to be provided by the purchaser.

and/or

Free delivery at POF's stores at **WAH CANTT**
In this case Octroi duty, will be payable by the supplier.

- 2.8 Taxes and Duties etc. where applicable, must be shown separately, quoting references to Registration No. in cases of Sales Tax and relevant authority in the case of others. Offers without these clarifications and inclusive of Taxes and Duties may be ignored.
- 2.9 Taxes and duties levied on or after Tender opening date or on or after the date offer was signed and dispatched will be allowed to include in the offered rates.
- 2.10 "Suppliers will furnish a certificate, issued by Excise & Taxation deptt., that he has cleared all Professional Tax payable by him" offers received without this certificate will be rejected.
- 2.11 Suppliers will render necessary information regarding hazardous effects on environment, of the material/products supplied by them, in their quotations and shipping/dispatch documents.
- 2.12 If the requisite information is not furnished on the T.E forms or offer received is not conformity with the requirement of the T.E such offer shall be ignored.

3. INSPECTION

- 3.1 Supplies shall be subject to the inspection and acceptance by the competent inspection authority nominated by the Purchaser, who will arrange it at his own cost. Inspection facilities such as tools, test equipment, instruments etc will, however, be provided by the Suppliers in accordance with the relevant specifications.
- 3.2 Where considered necessary by the Purchaser, stores may be obtained on Warranty/Guarantee subject to inspection on receipt. Rejected stores will be removed and replaced with the acceptable stores by the Supplier at his own expense, within a specified time.

4. TENDER FEE

The tender must be accompanied by a copy of non-refundable fee by means of a crossed postal order/pay order for Rs. 500/- in favour of: **Director-Admin-POFs, Wah Cantt.** The tender fee instrument in original must be provided on day/date of tender opening in the Bid Center.

4.1 TENDER SAMPLE

Where required, offer must accompany tender sample., strictly according to the description and specification given in Tender Enquiry. Offer not accompanied by tender sample will NOT be entertained excepting the established and reputable firms who have either previously satisfactorily supplied the same or similar stores or have submitted an acceptable sample thereof against previous T.E.

5. BID Security

5.1 A copy of Bid Security should accompany the tender in shape of deposit at call receipt/Pay Order/Banker Cheque from scheduled bank drawn in favour of :-

GM-PPC-SAA&BM

5.2 Bid security instrument in original must be provided on the day/date of tender opening in the Bid Center as under:

- a. Registered/indexed firms including foreign firms - 2% of quoted value subject to the maximum ceiling of Rs. 0.5 Mn.
- b. Registered/un-indexed firms including foreign firms - 3% of quoted value subject to the maximum ceiling of Rs. 0.75 Mn.
- c. Unregistered Firms including foreign firms - 5% of quoted value subject to the maximum ceiling of Rs. 1.00 Mn.
- d. Govt organization/production units/state owned enterprises/welfare projects of Svcs HQ - Rs 0.50 M. can be waived off on request by DG(C)
- e. Bid money will be returned to unsuccessful (less first three lowest quotee firms) bidders on opening of commercial offers
- f. Bid money will be returned to successful bidders on submission of performance bond/unconditional B.G.
- g. Quotation accompanied with less bid money will be accepted on provisional basis for 10 x days after opening of bids. However the firms are bound to provide/furnish the balance bid money within 10 x days after opening of bid otherwise such quotations will be ignored or rejected
- h. Offers received without Bid Security will not be entertained.
- i. Bid money will be forfeited in case the quotation is withdrawn before the expiry of its validity date.

6. ACCEPTANCE OF OFFERS

6.1 POF may reject all bids or proposals at any time prior to the acceptance of bid(s) or proposal, but is not required to justify grounds for its rejection. POF shall incur no liability towards supplier or contractor who have submitted bids or proposals.

6.2 PERFORMANCE BOND

- (a) The successful bidders shall provide performance bond which shall not exceed 10% of contract value, in the form of Deposit At Call Receipt from a scheduled Bank; or, an un-conditional Bank Guarantee on a prescribed format. The performance Bond will be in favour of C.M.A.(POF) Wah Cantt. It will be returned on satisfactory completion of contract.
- (b) If the Supplier fails to furnish the Performance Bond within the specified time, such failure will constitute a breach of the contract and the Purchaser shall be entitled to make other arrangements for purchase of the stores at the risk and expense of the Supplier.

6.3 Performance Bond from State owned organizations may be waived off at the discretion of the Purchaser.

6.4 FAILURE TO SUPPLY THE STORES

All deliveries must be completed by the specified date. In case of failure to deliver the stores within the scheduled time should have arisen from "Force Majeure", which the purchaser may admit as reasonable ground for further time, he will allow such additional time as he may consider to have been required by the circumstances of the case. Otherwise, he will be entitled, at his discretion, to cancel the contract; and/or claim liquidated damages upto 2% but not less than 1% of the contract price of the items and their quantities for each and every month or part of a month, beyond the specified delivery date, during which these may not be delivered, subject to a maximum of 10% of the total contract value of the particular stores which remained unsupplied either in part or in full: or, to purchase from elsewhere, the unsupplied stores at the risk and cost of the supplier.

6.5 PAYMENT

Payment will be made by the CMA(POF) through crossed cheque on receipt/acceptance of stores on our prescribed bill form supported by receipt voucher on part/full supply basis.

(a) Payment of duties/Taxes including professional tax (where applicable) must be supported by proof of having paid these to concerned Govt. Taxation Deptt.

7. SECURITY OF INFORMATION

The tenderer and his employees must not communicate any information relating to the sale/purchase of stores under this enquiry to any person other than the manufacturer or to any press or agent not authorised in writing by POFs to receive it.

Please return the Schedule to the Tender duly signed by the specified date, along with the specifications, drawings etc. if any, enclosed herewith - even if you are unable to quote.

WARNING In case the firm abstain from making offers or fail to return/acknowledge the tender form by the specified date on three consecutive occasions, no further tender enquiry may be issued to them and their names would liable to removed from the approved list.

Yours faithfully

**AHSAN IQBAL
MANAGER-PUR-SAA&BM**

for PAKISTAN ORDNANCE FACTORIES

PAKISTAN ORDNANCE FACTORIES

SCHEDULE TO TENDER NO. 0108/LP/SAA/5308-APR-24**(1) FOR MATERIALS**

(1)	(2)	(3)	(4)	(5)	(6)		(7)
Item No.	Description with Specs. etc.	Unit	Qty	Quoted Value	Price Per Unit FOR or free delivery		Delivery Date
					In Figures	In Words	

1	2ND POINTING DIE FOR JACKET 7.62X39MM BULLET DRG NO. SK/T-069 2ND STEEL HOUSING SPEC: (45# or GB/T699/1999) T.C NIB SPEC: (YG8 or GB/T18376.3-2001)	NO	50				31-JUL-24
---	--	----	----	--	--	--	-----------

Total Rs =	
+18% GST =	
Total value Rs =	

(2) For Plant & Machinery:
Specification:-

(3) Special Conditions

Un-Registered firm will provide one year bank statement with quotation

Supplier will render warranty/guarantee certificate valid for 12 months after receipt / acceptance of store at POFs Wah Cantt.

- 01 Photocopy of tender fee with amount and bid money hiding amount must be accompanied with technical offer to prove submission of commercial offer. Soft copies of tender fee and bid money must be reached in bid centre at the time of opening of technical offer.
- 02 Firms who registered with SECP are eligible to participate in bid, however firm attach copies of registration certificate with quotation. Photocopy of 01 year bank statement be attached with quotation if un-registered with POF.
- 03 Only registered suppliers with Sales Tax and Income Department who are on Active Taxpayers List (ATL) of FBR is eligible to participate in the bid. Documentary proof Of the same must be attached with the bid.
- 04 Inspection of store (where applicable) will be carried out by GM-SAA.
- 05 After placing of contract, accepted copies of the contract, duly signed, and stamped must be provided within 5 days.
- 06 Participants/bidders are obligatory to forward necessary credentials of their firm showing/elaborating details of their business with govt./semi govt. & public sector organization/departments of pakistan alongwith their quotation.
- 07 Photocopy of NTN & PTC Certificate duly attested by Gazetted Class-I Officer must Be attached with the bid.
- 08 Participating firms should have not defaulted in any contract with POF or any other govt. organization.

PAKISTAN ORDNANCE FACTORIES

SCHEDULE TO TENDER NO. 0108/LP/SAA/53

08-APR-24

(1)	(2)	(3)	(4)	(5)	(6)		(7)
Item No.	Description with Specs. etc.	Unit	Qty	Quoted Value	Price Per Unit FOR or free delivery		Delivery Date
					In Figures	In Words	

Undertaking

Should our offer be accepted, we hereby undertake to supply the stores/render the services contracted on the basis of General Conditions of Contract embodied in Form POF 1281, and to deposit the performance bond within the prescribed time, failing which it will constitute a breach of contract, and POF will have the right to purchase the stores/services elsewhere at our risk and cost.

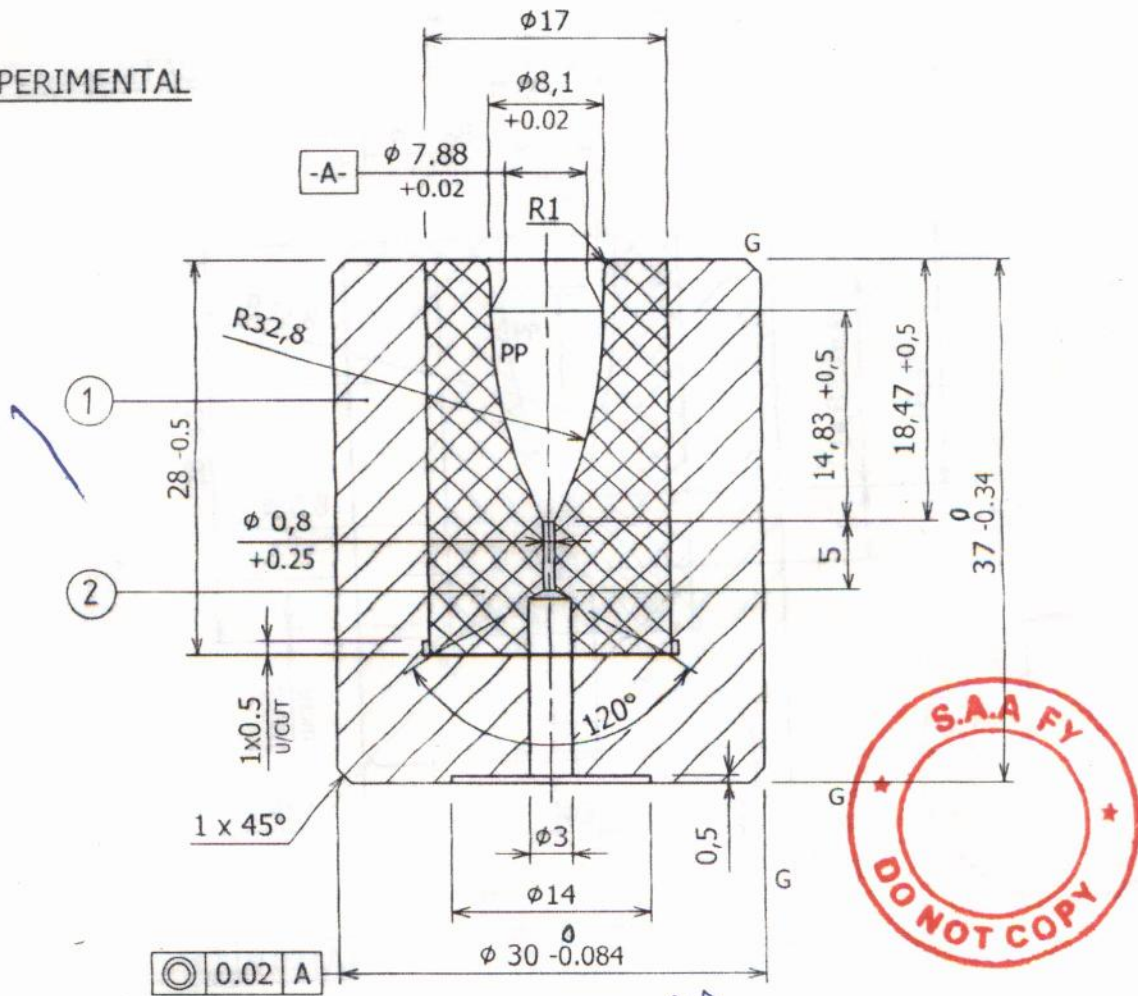
Place _____
 Date _____

Signature of the Tenderer _____
 Name _____
 Position _____
 Address _____
 Income Tax G.I.R. No _____
 Official Stamp _____

DIMENSION IN MM, THIRD ANGLE PROJECTION METHOD USED.
 GAUGING DIMENSIONS MARKED ⊕ GAUGING SURFACE HARDENED WHERE POSSIBLE,
 INFORMATION MARKED † TO BE MARKED ON, G. GROUND L. LAPPED P. POLISHED,
 MACHINED WHERE SHOWN † DIMENSIONS MARKED * ARE IMPORTANT, PP: HIGHLY POLISHED.
 UNTOLERANCED DIMENSIONS ACCORDING TO DIN 7168.

DET. No.	No. OFF.	DESCRIPTION	MATERIAL		STOCK SIZE	HEAT TREATMENT
				CLASS		
1	1	HOUSING	45# or GB T699/1999		∅ 35 x 42 L	—
2	1	T.C NIB	YG8 or GB/T18376.3-2001		—	—

EXPERIMENTAL



Section A-20. SAA
 Custodian AM
 Date 21/8/23

					DRAWN SHAHID HUSSAIN ATO
					CHECKED ZULFIQAR AHMED TO
					CHECKED KHALID MAHMOOD TO
					APPROVED BILAL GILANI AM
21/8/23	01	MATERIAL: 45# or GB T699/1999 WAS OHNS & YG8 or GB/T18376.3-2001 WAS TC, VIDE LTR: 2200-02-Gen-A20		15-8-23 Gen-A20	
DATE	MOD.NO.	AMENDMENTS.	SIGN.	SCALE N.T.S.	BASED ON TK3-5 & SK/T-202/P-771
DIE 2nd. POINTING FOR 7.62 x 39 mm BULLET (G.M) / A-20				P.O.Fs./M & D/SAA	
				SK/T - 069/A -20	
				DATE 15-04-2019	